

RO-4700 Marine DSC VHF, 25/1 W

For small fishing vessels and leisure boats



Brand new VHF

with DSC (class D) in a great design – an improved version of the most selling VHF with DSC in Denmark, RO-4500. RO-4700 is waterproof (IPX7) with a large LCD display, which can also show NAV data.

- **Access to all available international channels**
- **Quick recall and scan of all international channels**
- **Programmable private channels (L/F channels)**
- **Memory of 20 names with MMSI numbers, 10 distress calls and 20 individual calls for DSC communications**
- **Rotary knobs for On/Off, volume, channel selector and squelch give you more convenient operation of the radio**
- **Can be mounted outdoor**
- **25W/1W output power**
- **Quick selection of the emergency call on channel 16**
- **Adjustable backlight at the display**
- **Easy to connect to GPS and external speaker**
- **Mounting bracket or bulkhead**
- **Full operation from handmicrophone and radio front**

The RO-4700 package consist of

- Transmitter unit / receiver unit
- Microphone with numeric keys and backlight
- Wall fittings for the microphone
- Mounting bracket
- Built-in plates/fittings for bulkhead mounting
- Cables for: power, external speakers and GPS
- Danish or English operator's manual

Microphone with full operation

RO-4700 has a full operation of all functions directly in the microphone, which also offers illuminated buttons for safe night operation. The alphanumeric keyboard makes it easy to type in MMSI numbers and make calls.



Specifications

Transmitter:

Frequency coverage 156.025 ~ 157.425MHz
 Current drain ((HI) 5.5A typical
 Microphone Condenser type
 RF Output Power High: 25W / Low: 1W
 Harmonic Emissions High: 80dB / Low: 60dB

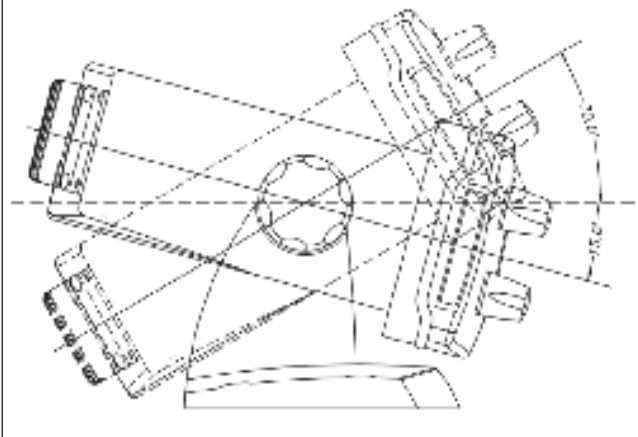
Receiver:

Frequency coverage 156.025 ~ 162.025MHz
 Current drain (HI) 0.8A typical
 Adjacent Channel Rejection 70dB
 Audio output power 2W @ 8 ohm

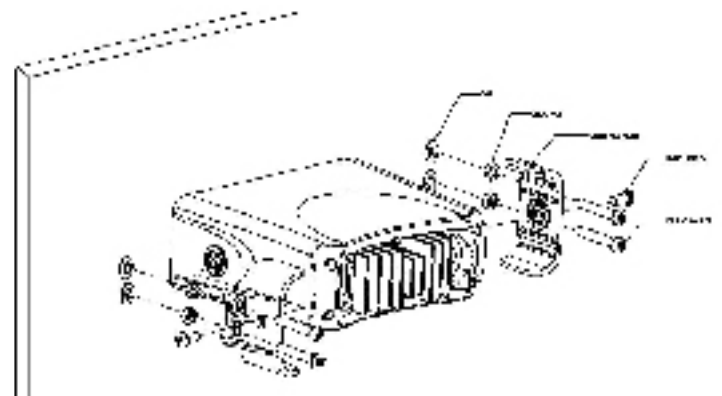
General:

Mode FM / DSC
 Power supply 12V
 Frequency stability +/- 10ppm (-15°C to +55°C)
 Antenna impedance 50 ohm
 Sensitivity at 12dB Sinad 0.5µV
 Audio Distortion 10%
 Dimensions (HWT) 71x161x147mm
 Weight 1290g

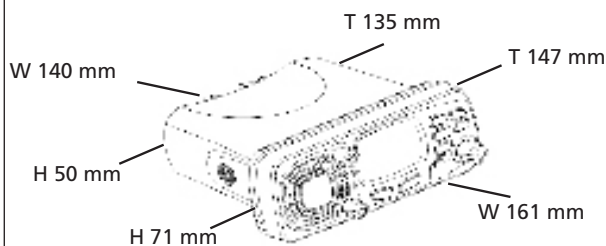
Bracket mounting



Bulkhead mounting



Dimensions



For bulkhead mounting a rectangular hole at 53 mm x 143 mm must be cut out to fit the radio.

On the front, please keep at least 12mm free space around the hole for the collar at the front of the radio.

Dealer: